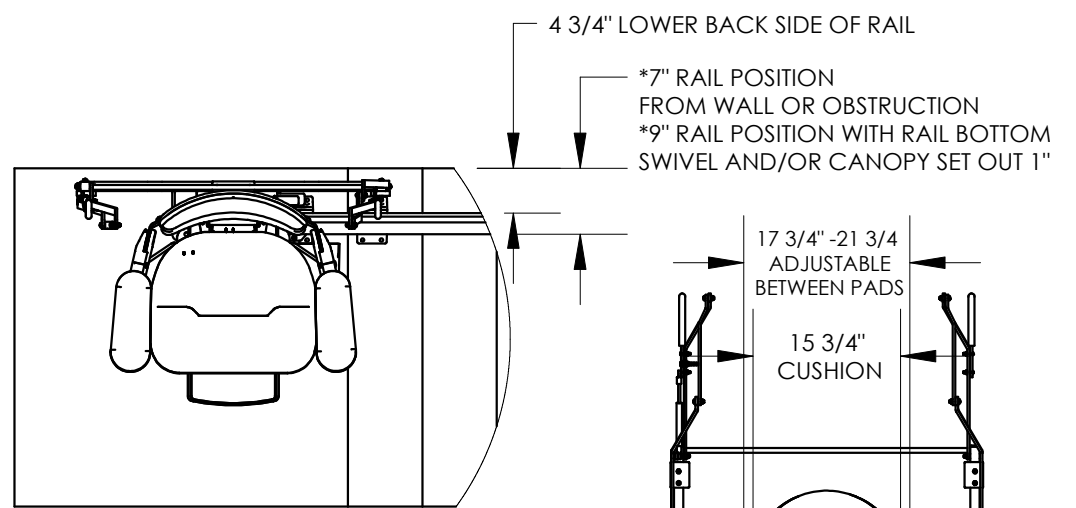


TECHNICAL DATA/SPECIFICATION

MODEL: SRE-2010E OUTDOOR ELECTRA-RIDE ELITE
RATED LOAD: 400 LBS, ONE PASSENGER
POWER SOURCE: 24 VOLT DC COMPRISED OF (2) 7 AMP/HR 12 VOLT SEALED BATTERIES
 110 VOLT AC 1.5 AMP, 24 VOLT DC 2 AMP CONTINUOUS MONITORING CHARGER.
DRIVE: 24 VOLT DC DIRECT DRIVE GEAR-MOTOR, 2 POLE RATED .68 HP, 58:1 RIGHT ANGLE SELF LOCKING GEARBOX, 41.5 RPM NO LOAD RPM OUTPUT SPEED.
SUSPENSION: RACK & PINION - INTEGRATED 8DP GEAR RACK ON RAIL WITH A SPUR GEAR ON THE OUTPUT SHAFT OF THE GEAR BOX.
BRAKING: DYNAMIC MOTOR BRAKING THROUGH THE MOTOR CONTROLLER, SELF LOCKING WORM GEAR, AND ELECTRO-MECHANICAL MOTOR BRAKE.
CONTROLS: CONTINUOUS PRESSURE ROCKER SWITCH LOCATED ON THE ARM REST AND WALL MOUNTED CALL/SEND CONTROLS LOCATED AT BOTH THE TOP AND BOTTOM LANDINGS.
ANGLES: 0 TO 45 DEGREES (SPECIALS UP TO 50 DEGREES) RIGHT OR LEFT HAND ORIENTATIONS.
FINAL LIMIT SWITCH STANDARD
KEYED CALL/SEND CONTROLS STANDARD
KEYED CONTROL ON CHAIR STANDARD



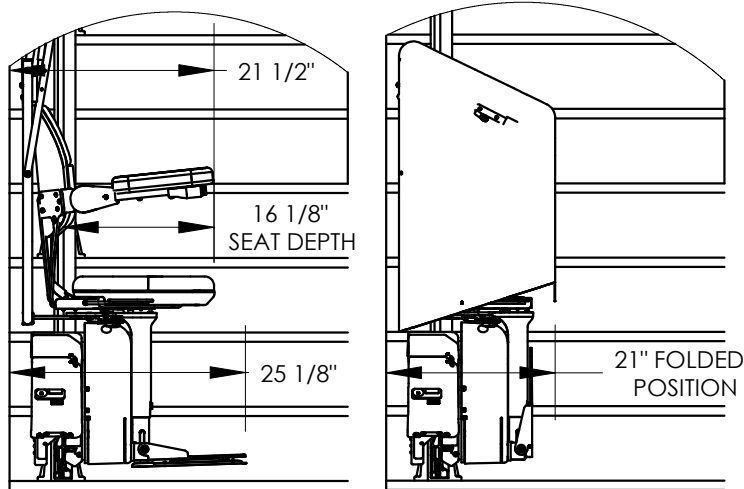
TOP VIEW

ELEVATION VIEW

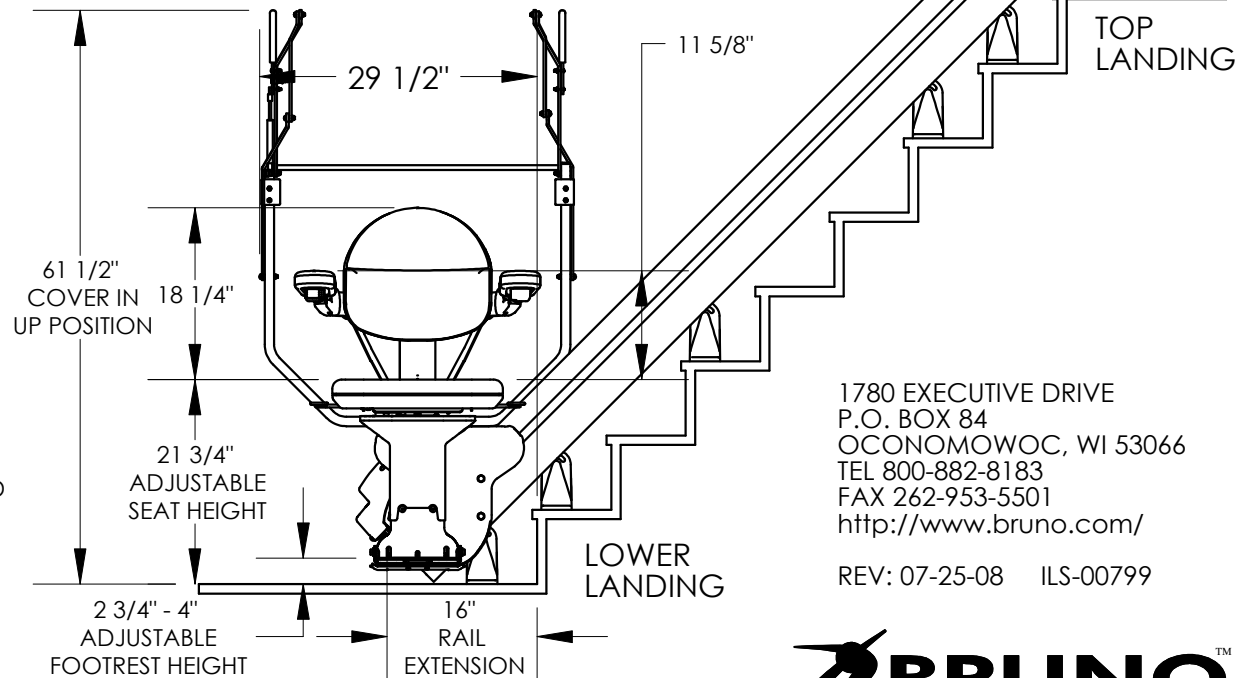
LOWER LANDING EXTENSION DIMENSIONS ARE BASED ON 45 DEGREE RAIL SLOPE ON AN 8" 1ST RISER HEIGHT, DIMENSIONS WILL VARY BASED ON SLOPE AND RISER HEIGHT

9 1/8" FOOT REST WIDTH

REFER TO CHART



SIDE VIEWS



1780 EXECUTIVE DRIVE
 P.O. BOX 84
 OCONOMOWOC, WI 53066
 TEL 800-882-8183
 FAX 262-953-5501
<http://www.bruno.com/>

REV: 07-25-08 ILS-00799