



PRESSURE FIT SYSTEM

Introducing, the unique and portable Prism Medical Pressure Fit System. The vast array of track designs offers all of the benefits of standard ceiling lifts with no attachment to structure required. Minimal installation is required because the system works by exerting equal pressure between the floor and ceiling to stabilize the unit. Constructed of high strength aluminum with a 440 lb. weight capacity, the Pressure Fit is suitable for many situations. Our unique patent pending one step height adjustment allows for set up in just minutes and the incorporated level and pressure gauge indicator allow for easy and accurate installation. These free standing rail systems address a number of bedroom & bathroom situations making it suitable for most situations.



PRODUCT HIGHLIGHTS

- Patent pending one step height adjustment – set up in less than two minutes with no tools
- Constructed of High strength aluminum with a 440 lb weight capacity
- Available in 2, 3, and 4 post designs
- Bath adapter allows for transfers into standard bathing systems
- Height adjustable from 7'-9'
- Multiple track installation points accommodates non-flush ceiling impediments or lights
- Slim profile uprights – approximately 1" wide
- Easy to read pressure gauge indicator ensures safe installation
- Incorporated level for accurate installation
- Each component weighs no more than 25lbs
- Pressure between floor and ceiling will ensure that ceilings are not damaged
- For use with all Prism Medical portable ceiling lifts
- Satisfies requirements for temporary or permanent use
- Optional carry bag

FST-300 FREE STAND TRACK SYSTEM

The innovative FST-300 Free Stand Track System has been designed with both caregiver and client in mind. Easy to assemble, this portable ceiling track system, comes ready to use and can be assembled by one person. Assembly takes just minutes with no tools required. The FST-300 is height adjustable and no component weighs more than 17 lb. Secure and sturdy, the FST-300 can be used for both temporary and permanent applications with no modifications required to the environment and the customized roller bag allows for easy transport. The FST-300 is designed for use in conjunction with Prism Medical's industry leading C-300 ceiling lift system.



PRODUCT HIGHLIGHTS

- The strong, rated capacity of the track frame is 300 lbs.
- The entire lightweight unit is only 46 lbs.
- The lift frame is easily assembled in about 6 minutes, without any tools, by a single person
- Adjustable in height from 5.0- 7.5 feet
- 96 inches wide providing transfer space for bed widths of up to 60 inches and in many bathroom situations.
- The lift frame is highly transportable through the use of a wheeled carry bag
- Optional cover over the A-frame posts provides convenient pockets for storage of bedside or lift/transfer accessories



SEQUOIA 2-POST SYSTEM

Offering flexibility and versatility, the Sequoia is a two post frame system used in conjunction with the portable P-440 and P-300 ceiling lifts. This frame is often used as a temporary measure or where ceiling lift track installations are not possible. It is easily assembled without any tools and can be adjusted in height and length to optimize use.

COMPONENTS

- (1) Transfer Rail
- (1) Trolley Set
- (2) Upright Posts
- (2) Base Supports

SPECIFICATIONS

Weight Capacity: 440 lbs (200 kg)
 Total Unit Weight: 90 lbs (41 kg)
 Width: 38" (96.5 cm)
 Length: Adjustable from 64" (173 cm) to 108" (274 cm)
 Height: Adjustable from 81" (206 cm) to 105" (267 cm)



SQUARE 4-POST

The 4-Post Freestanding Gantry offers all of the flexibility of an X-Y Gantry System with no requirement for permanent installation. Can be used with Fixed or Portable Ceiling Lifts.

COMPONENTS

- (2) X-Y Gantry Trolleys
- (1) Gantry Rail
- (4) Support Rails
- (4) Upright Posts with Leveling Feet

SPECIFICATIONS

Weight Capacity: 400 lbs (181 kg)
 Height: 7' (2.1 m)
 Dimensions: 8'9" (263 cm) x 8'9" (263 cm)

T-SHAPE 3-POST BEDROOM SYSTEM

The 3-Post Bedroom System allows for the use of a ceiling lift over a standard hospital bed with no permanent installation required. The two rail system allows for transfer to and from bed as well as repositioning in bed.

COMPONENTS

- (1) Transfer Rail with Trolley
- (1) Repositioning Rail with Trolley
- (2) Cross Braces
- (2) Bed Upright Posts with Leveling Feet
- (1) Room Upright Post with Leveling Feet

SPECIFICATIONS

Weight Capacity: 400 lbs (181 kg)
 Height: 7' (2.1 m)
 Transfer Track: 4'8" (132.5 cm)



CROSS SHAPE 3-POST BATH SYSTEM

The 3-Post Bath System allows for the use of a ceiling lift over a standard bathtub with no permanent installation required.

COMPONENTS

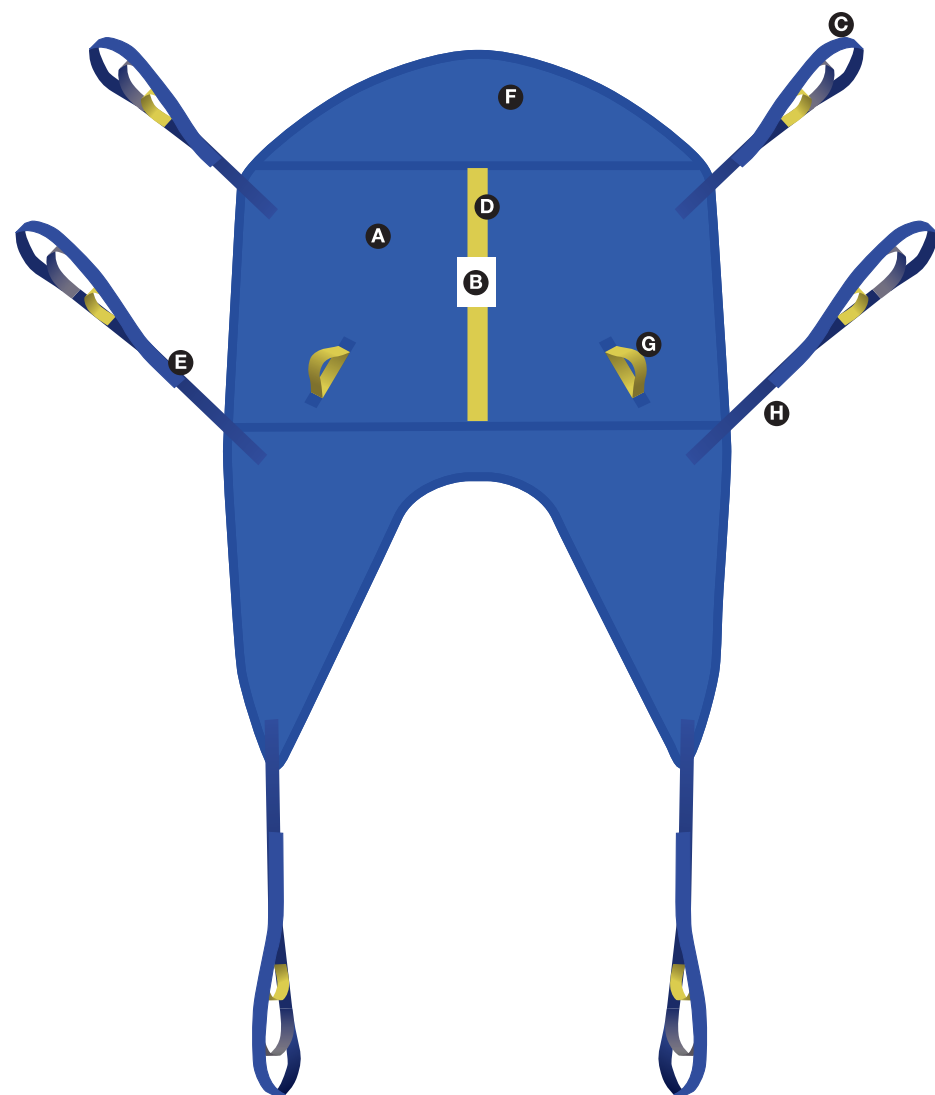
- (1) Transfer Rail with Trolley
- (1) Support Rail
- (2) Upright Posts with Leveling Feet
- (1) Weighted Upright Post with Leveling feet and Counterweights

SPECIFICATIONS

Weight Capacity: 400 lbs (181 kg)
 Height: 7' (2.1 m)
 Support Track: 4'10" (145 cm)
 Transfer Track: 7'3" (218 cm)
 Minimum Distance Between Weighted Post and Support Track: 5' (150 cm)



ANATOMY OF A SLING



A. FABRIC

Available in nylon, mesh, quilted or padded materials.

B. LABEL

Identifies serial number, weight capacity, size, and washing instructions.

C. ATTACHMENT LOOPS

Multiple color coded attachment loops attach to carry bar or portable lift and allow for adjustments to optimize patient comfort and positioning.

D. SIZE INDICATOR

The stripe along the spine of the sling and handles are color coded as a quick reference for size.

E. STRAPS

Enable the secure fastening of sling for patient stability and comfort.

F. OPTIONAL HEAD SUPPORT

Provides additional support for clients with limited control. Optional on the Universal Sling and standard with the Hammock Sling.

G. SLING HANDLES

Used to aid in maneuvering client.

H. OPTIONAL SLING IDENTIFICATION

Used for identification purposes. Useful for tracking while laundering. See page 34 for details.

SLINGS	UNIVERSAL	HAMMOCK	HYGIENE	POSITIONING	BAND	WALKING*	DELUXE WALKING*	STANDING SLING**	WALKING REHAB	FULL STANDING	TRITURNER	MORGUE	STRECHER
MATERIALS													
Mesh	•	•		•									
Quilted	•	•	•		•			•				•	
Padded	•		•			•	•		•			•	
Nylon				•									
Non-Slip													
Disposable Padded	•											•	
Disposable Polyester				•									
Disposable Quilted					•								
SIZES													
Junior	•	•	•						•			•	
Small	•	•	•		•			•	•			•	
Medium	•	•	•		•			•	•			•	
Large	•	•	•		•			•	•			•	
X-Large	•	•	•						•			•	
XX-Large	•	•	•						•			•	
Standard													
Custom	•	•	•	•	•	•	•	•	•			•	
36x51"				•									
42x78"				•									
36x70"				•									
56x78"				•									
44 x52" (Disposable Only)				•									
OPTIONS													
Buckle			•				•	•	•				
Velcro			•			•	•		•			•	
Handles & Loops													
EASE OF APPLICATION													
Easy			•		•	•	•	•				•	
Moderate	•			•					•				
More Difficult		•											

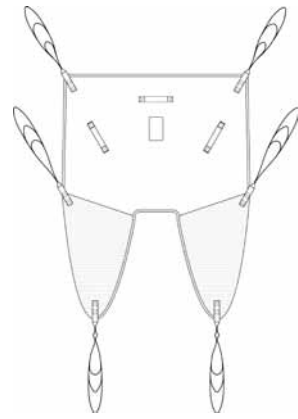
* Walking slings are specifically designed so weight bearing individuals can ambulate safely.

** Full support standing slings provide more support than a walking sling. It is designed to assist a person to stand and perform a weight bearing transfer.

PREMIUM SLINGS

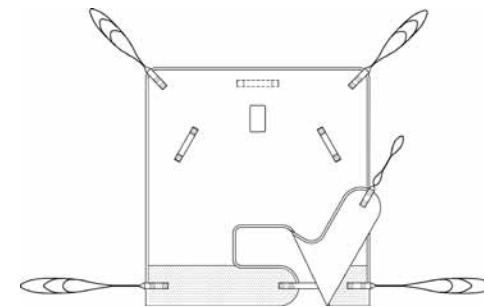
PREMIUM UNIVERSAL SLING

The Universal Sling is the most commonly supplied sling for general transfer purposes. The universal is easy to fit yet is very supportive. It can be used in a divided leg or cross over position.



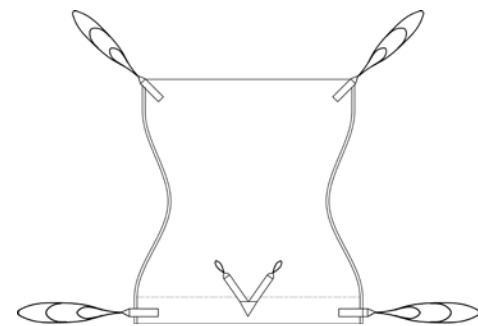
PREMIUM HAMMOCK SLING

The Hammock Sling provides maximum support to the sacral area and is used in cases where the universal sling is unsuitable because the individual has poor body tone. The sling can be used in a divided leg or cross over position; this also provides good support for amputees.



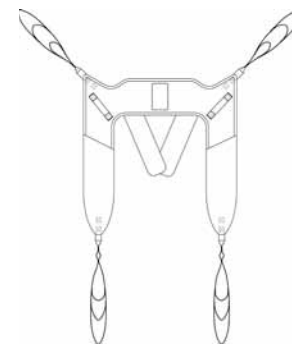
PREMIUM COMFORT RECLINE SLING

The Comfort Recline Sling is designed for the amputee client but it is also suitable for clients who have to remain in the sling for extended periods. The spacer material is fully breathable and stretches to mold to the shape of a chair. The sling features elasticated sections which allow the straps to be folded safely out of the way when the client is seated.



PREMIUM DUAL ACCESS SLING

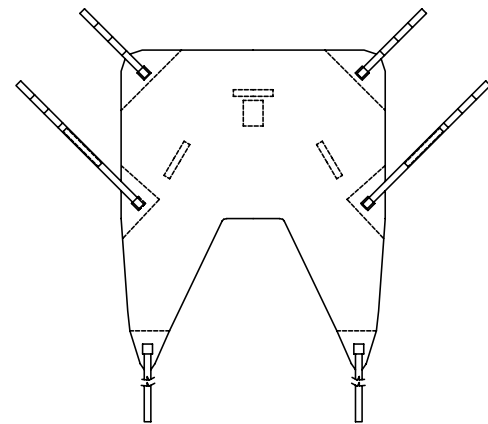
The Dual Access Sling is designed to be used with either a ceiling lift or a stand aid. It gives access to be able to remove and refit lower garments for toileting transfers while the client is in the sling.





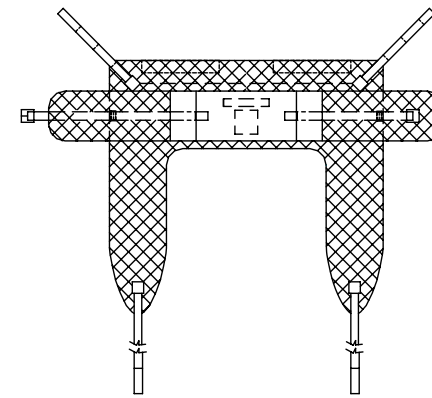
UNIVERSAL SLING

The Universal Sling is easy-to-use and easy-to-fit. It is a multi-purpose sling that provides toileting access as well as good back and thigh support. The sling comes with leg, hip and shoulder straps and features loops to accommodate various seating positions. Available in mesh, quilted or padded material, the Universal Sling can also be



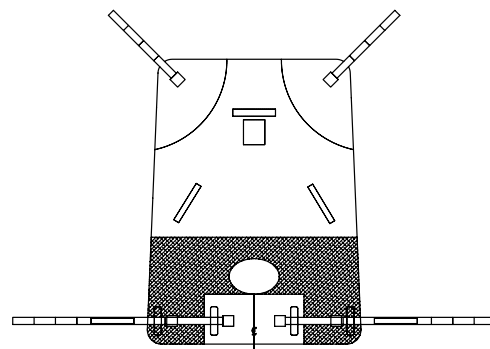
HYGIENE SLING

The Hygiene Sling was specifically designed for toileting and hygiene functions. Access is unrestricted for most users, making this sling ideal for independent transfer and toileting. The Hygiene Sling features quilted material and comes with leg and shoulder straps with loops for various seating positions. A wide strap across the chest, available with velcro or buckle attachment, provides additional upper body support.



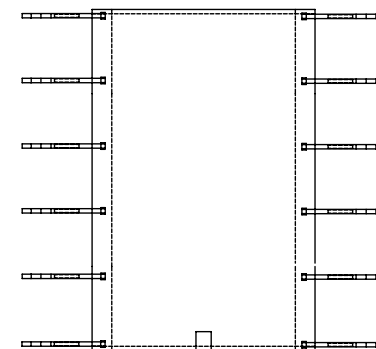
HAMMOCK SLING

Acknowledged by professionals as the most comfortable and supportive sling for both home and institutional use, the versatile Hammock Sling combines toileting access with full body and head support. The sling comes with leg and head straps and features loops to allow for various sitting positions. The Hammock is available in either mesh or quilted material.



POSITIONING SLING

The Positioning Sling is intended to be permanently in place as part of the bedding. The sling has several pairs of straps and features loops to offer support in various positions. Repositioning and turning, done manually under time pressure, poses a significant risk of injury to caregivers. The Positioning Sling is designed to address that risk. The sling is also used for transfers to other horizontal surfaces.





TRI-TURNER SLING

Ideal for turning a client into a lateral, resting position, the Tri-Turner sling also has a sewn-in Velcro Loop & Hook to attach the sling to the bed, providing a more comfortable turn for the client.

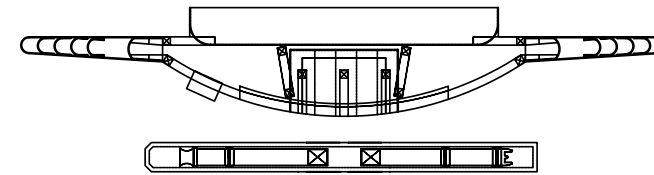


BAND SLING

Ideal for supporting limbs to facilitate change of dressing on arms, hands, legs, feet or to elevate and hold limbs during surgery.

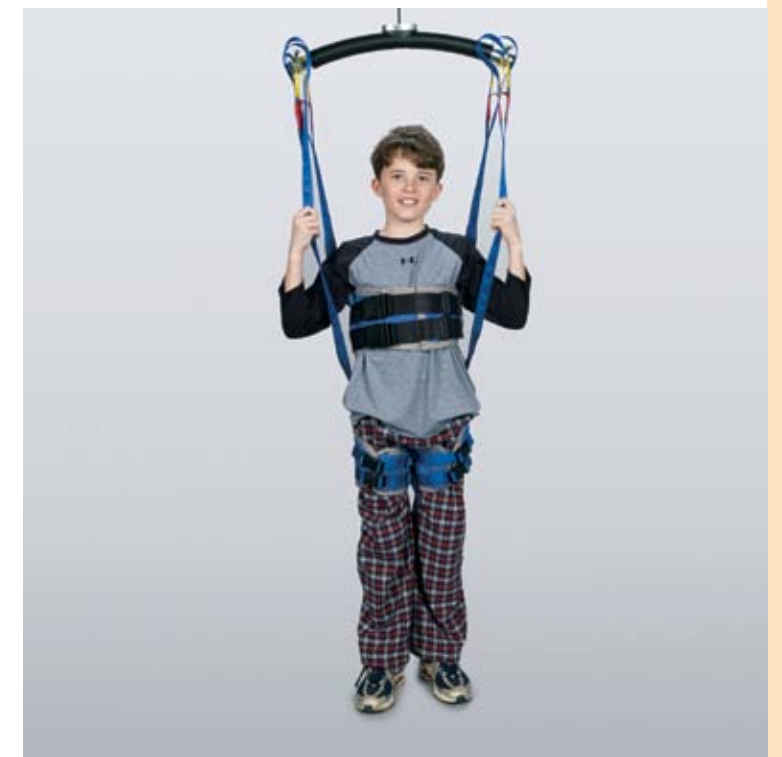
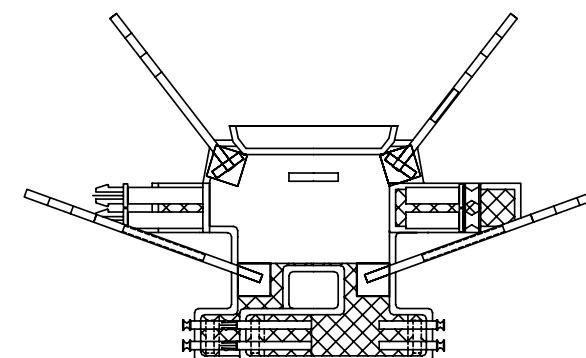
STAND-AID SLING

Designed by Prism Medical's expert research team, the Stand-Aid Sling will comfortably wrap around the patient's waist and with limited pressure will help raise the person to a standing position. The Stand-Aid Sling is padded for extra comfort and comes with Prism Medical's signature loop design, which allows for greater options for comfort when performing the lift. The Prism Medical Stand-Aid Belt is removable and sold separately.



FULL STANDING SUPPORT SLING

The Standing Sling is a dual purpose sling affording a natural sit to stand movement. Functional from both bedside and chair surface, this sling encourages pivot transfers, ambulation and toileting.

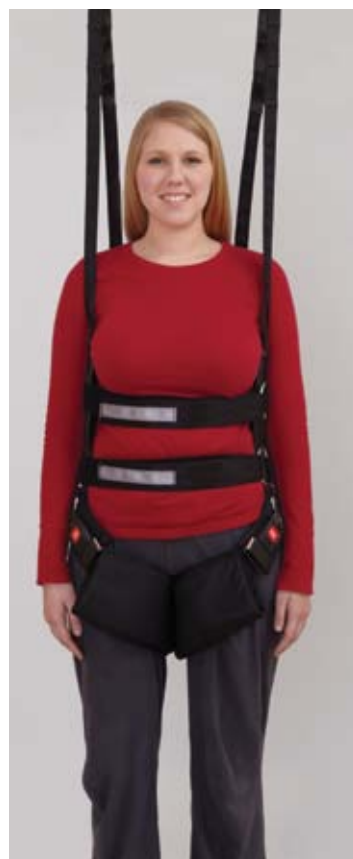




WALKING



DELUXE WALKING



REHAB WALKING

WALKING SLING

The Walking Sling was developed with the help of physical therapists. This supportive sling assists in the safe lifting of individuals from a seated to a standing position. The Walking Sling offers upper body support and freedom of movement to individuals performing exercises in a rehabilitation setting.

DELUXE WALKING SLING

The Deluxe Walking Sling is the new generation of slings for support during ambulation. This sling features all of the same features of the Walking Sling, but offers additional adjustment around the torso.

REHAB WALKING SLING

Prism Medical's ErgoSafe® Rehab Walking Sling provides a natural sit to stand movement with Non-slip fabric to keep the patient stationary while moving. The Rehab Walking Sling is functional from both bedside and chair surface and encourages pivot transfers, ambulation and toileting.

CUSTOM SLINGS

Although we offer over 100 standard slings, everyone is unique and their needs are different. That is why we will customize any of our standard slings to help suit your needs better. You can modify an existing sling design, like adding an extra strap, or we can start right from scratch. Before creating a custom sling, our engineering department reviews the design to ensure that there will be no loss of integrity with the changes. Once the custom sling has been made by our in-house sling manufacturing, we weight test each custom sling to ensure its strength. Common customizations include adding: loops, straps and padding.



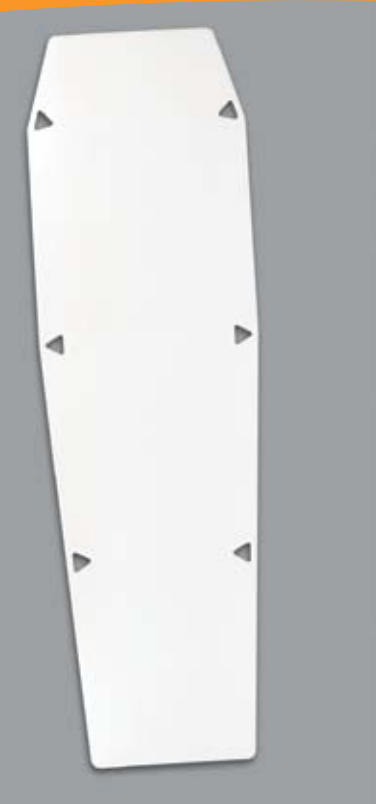
EMBROIDERY & SLING LABELING

Embroidery and custom labeling are available for all Prism Medical slings. This substantially improves sling identification to ensure that it makes it back to the correct department or unit.

SLING SIZING CHART

Prism Medical offers a wide range of standard sizes to be sure to accommodate the needs of a diverse patient/resident population. Here are some general guidelines for sizing Prism Medical slings.

Size	Height	Weight
Junior	<4'	<110 lbs
Small	4'-5'6"	95 lbs-150 lbs
Medium	5'-6'	125 lbs-250 lbs
Large	6'-7'	250 lbs-400 lbs
X-Large	6'-7'	400 lbs-480 lbs
XX-Large	>6.5'	>480 lbs



TRANSFER BOARD

A white high density polyethylene transfer board made from radiolucent material used in x-ray and imaging departments. Straps are separate from board and clip on for lifting so the board can be left on imaging table.



STRETCHER SLING

The stretcher sling is a custom ordered metal frame with blue mesh. Four Straps with two loops are sewn directly to the metal frame. The sling has a velcro fastener to allow it to be easily removed from the frame. Can be used with any standard C-Series carry bar.



MORGUE SLING

The morgue sling is a total of 4 bands made out of 2" black webbing. The straps have 2 loops. Each band is a total length of 54" from loop to loop. To be used with morgue carry bar only.



PREMIUM CLIENT-SPECIFIC SLING



BAND CLIENT-SPECIFIC SLING



UNIVERSAL CLIENT-SPECIFIC SLING



TRI-TURNER CLIENT-SPECIFIC SLING



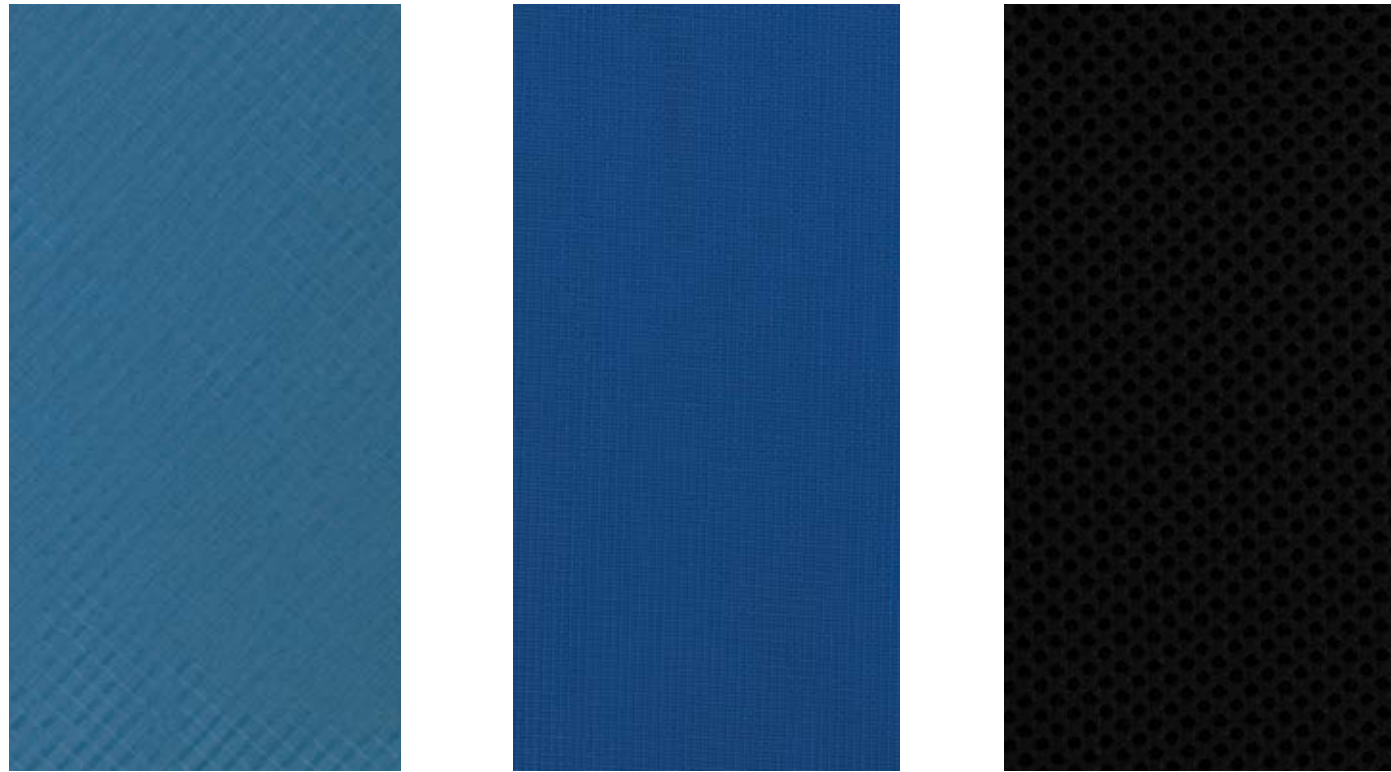
POSITIONING CLIENT-SPECIFIC SLING

CLIENT SPECIFIC SLINGS

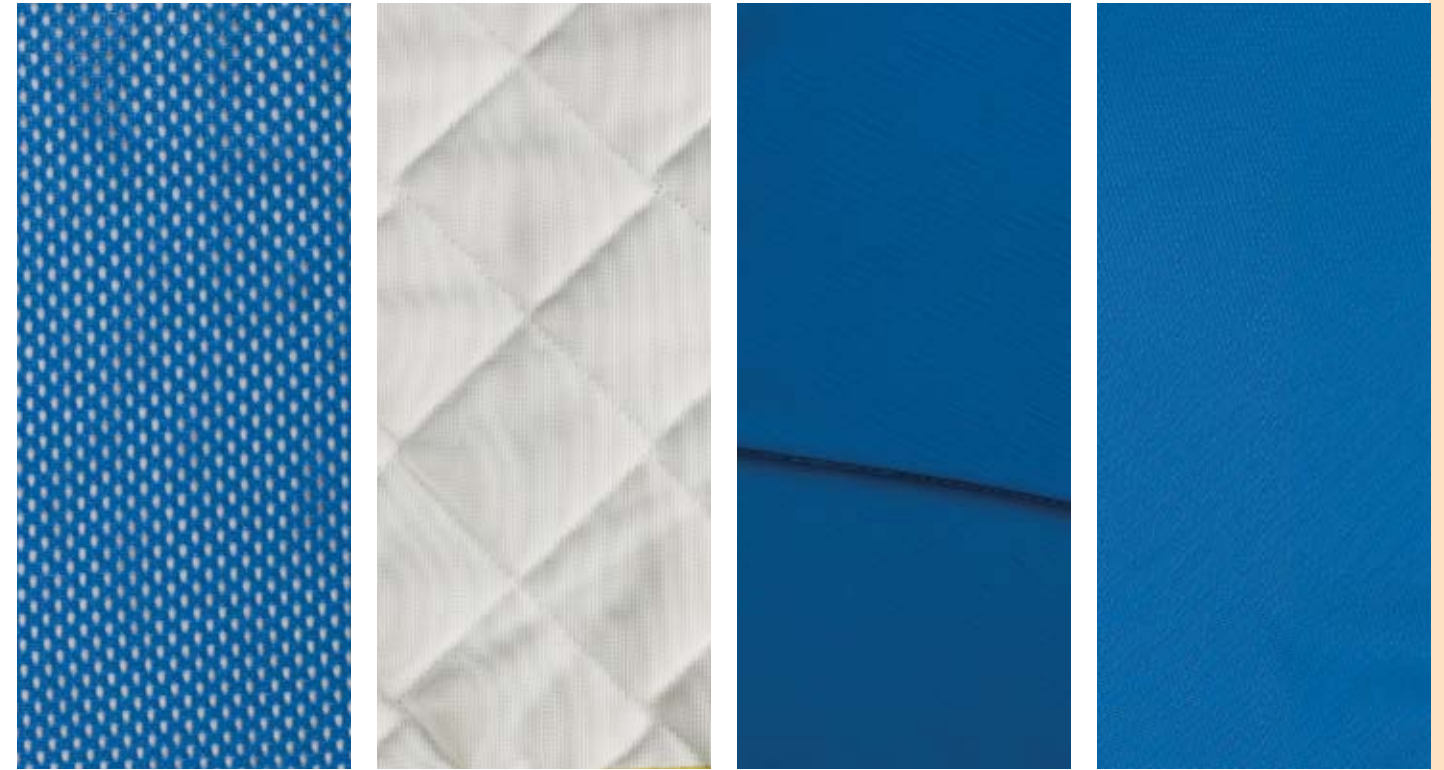
CLIENT SPECIFIC SLINGS

Prism Medical is pleased to be able to offer Client-Specific slings. With infection control becoming an area of greater focus and attention, Prism Medical has the solution. Client-Specific Slings are designed to be used by one individual and disposed of when; a) the patient/resident no longer requires or b) the sling is soiled. The Client-Specific slings are based on the design, safety, comfort and application of the Prism Medical sling patterns. Label indicates when the sling is in need of disposal. Typical safe use ranges from 1-3 months (dependent upon frequency of use). Available in the Universal, Band, Positioning, Hammock, and Tri-turner.

PREMIUM SLING FABRICS



SLING FABRICS



MESH

QUILTED

PADDED

NYLON

FEATURES



SLING LABEL



END LOOPS



JUNIOR SIZE
GREY

SMALL SIZE
RED

MEDIUM SIZE
YELLOW



LARGE SIZE
GREEN

XL SIZE
BLUE

XXL SIZE
BLACK

TRACK SYSTEM



TRACK

Prism Medical standard aluminum track can be used in linear rail applications or as the support rails for an X-Y gantry system. Available in 6'4" (1.93 m), 8'2" (2.5 m), 10'2" (3.07 m), and 16'5" (5.0 m) lengths.



SUPERTRACK

The thicker profile of the Prism Medical SuperTrack allows for extended spans between supports, making it ideal as the traverse boom for X-Y gantry systems and for Wall Mounting applications. Available in 10' (3.0 m) and 12'6" (3.75 m) lengths.



TRACKPLUS

Prism Medical's Trackplus is most commonly used to accommodate longer, unsupported spans. Available in 16.5' (5.0 m) and 19'8" (6.0 m) lengths.

See page 65 for detailed specifications.



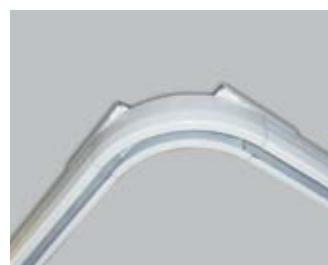
45 DEGREE CURVE TRACK

Curved tracks are used to change the direction of tracks in a single track system. The 45 Degree Curve can be used with other straight or curved tracks. Available in "inside" and "outside" designs to allow for the finished side of the track bracket to remain consistent throughout the installation.



90 DEGREE CURVE TRACK

Curved tracks are used to change the direction of tracks in a single track system. The 90 Degree Curve can be used with other straight or curved tracks. Available in "inside" and "outside" designs to allow for the finished side of the track bracket to remain consistent throughout the installation.



QUICK CURVE

The Quick Curve is Prism Medical's newest addition to our track options. This patent pending technology is currently available for the P-Series and C-Series Manual Ceiling Lifts. The Quick Curve is a 90 degree curve with a turning radius of 8" potentially avoiding the requirement for more costly installation options. Mounted only to the adjacent sections of straight track, the Quick Curve offers a more cost effective installation.

TRANSSTRIP TRACK



TRANSSTRIP TRACK

Prism Medical standard Transstrip track is available in 10'2" (3.07 m) lengths and is used for Power XY gantry and Omni-Charge (constant charge) applications. The slot at the top of the track allows for the insertion of the Transstrip.



TRANSSTRIP SUPERTRACK

Prism Medical Transstrip SuperTrack track is available in 12'6" (3.75 m) lengths and is used for Power XY gantry and Omni-Charge (constant charge) applications. The slot at the top of the track allows for the insertion of the Transstrip.



TRANSSTRIP TRACKPLUS

Prism Medical Transstrip TrackPlus track is available in 19'8" (6.0 m) lengths and is used for Power XY gantry and Omni-Charge (constant charge) applications. The slot at the top of the track allows for the insertion of the Transstrip.

TRACK END CAPS

The End Caps are used at the end of the track to maintain an aesthetically pleasing installation, and ensure the final finished appearance for the complete assembly.



TRACK END CAP



SUPER TRACK END CAP

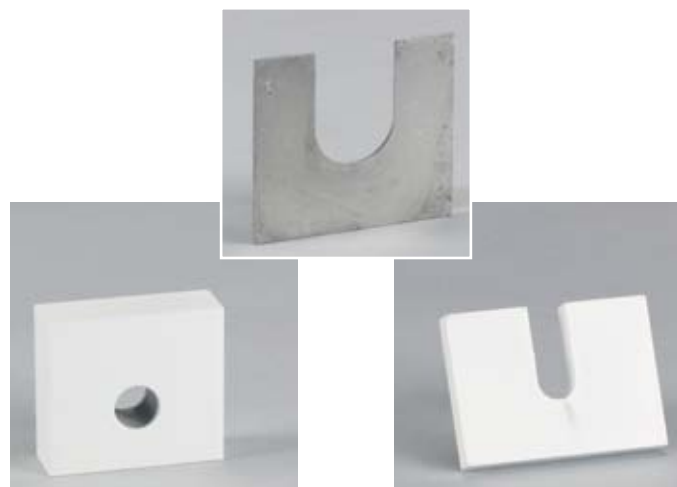


TRACKPLUS END CAP



END-STOP & END-STOP SAFETY PIN

The End-Stops hold the lift or X-Y Gantry trolley set inside the track and are located at each end of the track. The End-Stop Safety Pin is an additional safety measure.



ALUMINUM SHIMS

Aluminum Shims are used to level track or suspend track below the ceiling. Shims are available in 1", 3/8", and 0.08" sizes.



X-Y GANTRY MANUAL TRAVERSE

The Traversing X-Y Gantry Trolley Set is used to connect the traversing boom to the parallel support rails for an X-Y gantry system.



X-Y GANTRY MANUAL TRAVERSE ABOVE MOUNT

The X-Y Gantry Manual Traverse - Above Mount is used where additional lifting height is required. The Traversing rail travels at the same height as the support rails.

WALL MOUNT BRACKET

The Wall Bracket allows for track to be installed directly into the wall where ceiling mounted applications are not practical.



WALL MOUNT 6" CONNECTOR BRACKET

Sold separately, the Wall Mount 6" Bracket is used with the Heavy Duty Wall Bracket to attach the track.



WALL MOUNT SYSTEM

Prism Medical's Wall Mount System is used as an alternative to ceiling mounting. The system comes complete with all hardware and can be attached directly into drywall provided that it is at least 3/8" thick. Quickly installed, the Wall Mount System offers the same stability as ceiling installations.

POWER MULTI-PORT TURNTABLE

The Power Multi-port Turntable offers the end-user ultimate flexibility in situations that require access to a number of transfer locations. The turntable provides 14 take-off points.



MULTI-PORT TURNTABLE 16 PORT

The Multi-Port Turntable provides the end-user with ultimate flexibility in lift and transfer situations that demand a wide range of locations. The turntable provides 15 different ceiling track take-off points at 22 degree intervals. The turntable is easily rotated with the use of a simple pull cord mechanism.



QUICK-FIT TURNTABLE

The Quick-Fit Turntable allows for directional change at 90 degree intervals. The turntable is rotated using a simple pull cord mechanism.



CEILING BRACKETS (3" & 6")

The 3" Ceiling Bracket is used to fasten the track to the building structure. Brackets are spaced for load distribution. The 6" Connector Bracket is used at track joints. Track brackets are available with either 3/8" or 1/2" slotted openings to accommodate the respective mounting hardware.



TRANSITION-GATE

The Transition-Gate enables a transfer between an X-Y gantry and a single track. The Transition-Gate's revolutionary design does not require the use of any electrical components. Simply driving the lift into the gate locks it in place to transfer to the other rail. Also available for Track Plus.



CONNECTOR BRACKET - RIGHT AND LEFT

The Connector Brackets are used to fasten the track to the building structure. They are used at track joints allowing curved track to be reversed.

X-Y GANTRY POWER TRAVERSE

The Traversing X-Y Gantry Power Traverse Trolley Set allows for full power operation of the X-Y gantry boom. The boom travel is activated via buttons on the ceiling lift hand control.



X-Y GANTRY TP MANUAL TRAVERSE

The Traversing X-Y Gantry Trolley Set is used to connect the traversing boom to the parallel support rails for an X-Y gantry system. The difference in the model for the Transportable Lifts such as the P-440 and P-600 is that it does not include any charging connection hardware.



SHOWER CURTAIN ROD ADJUSTABLE

The Adjustable Shower Curtain Rod comes complete with shower curtain and accessories. This Shower Curtain Rod allows for the use of ceiling track in standard bathtubs and eliminates the need for a standard shower curtain rod that would impede the travel of the lift.



CURTAIN BOOM AND BRACKET

The Curtain Boom and bracket is utilized in certain X-Y Gantry installations (Semi-Private Rooms) to maintain privacy between beds. See page 50-51 for additional privacy curtain solutions and detailed specifications.



See page 63-64 for detailed specifications.